

8. Exploded Views and Parts List

8.1 Main Assembly Exploded view	page(8-2)
8.2 Rx Drive Ass'y Exploded view	page(8-5)
8.3 ADF Assembly Exploded view	page(8-6)
8.4 OPE Assembly Exploded view	page(8-10)
8.5 Scanner Assembly Exploded view	page(8-12)
8.6 Middle Cover Assembly Exploded view	page(8-14)
8.7 Frame Ass'y Exploded view	page(8-15)
8.8 Fuser Ass'y Exploded view	page(8-19)
8.9 MP Assembly Exploded view	page(8-21)
8.10 Cassette Ass'y Exploded view	page(8-23)
8.11 SCF(Option Cassette Frame) Exploded view	page(8-25)

- Exploded drawings and service parts lists are given for items which may be expected to have a higher failure rate.
- Where a failure occurs you can identify the part in the exploded diagram and, using the parts cross reference number, refer to the appropriate parts list to identify the part number.

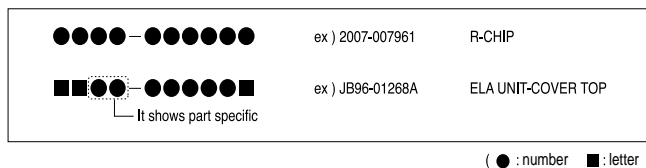
Note : Parts numbers given here are correct at the time of publication.

When ordering parts please use the on-line ordering system to check if there have been any changes to part numbers.

Part Number & Description format.

Part numbers and descriptions are defined according to a company standard. The information below will help you to understand the part number format and assist when ordering spare parts.

- There are two types of Part number format.



Type 1 : This format is used throughout Samsung on all product ranges. Typically it is used for small components and electronic parts.

Type 2 : This format is controlled by individual Samsung Divisions and is used on specific products, typically for mechanical parts. Type 2 format part numbers fall into 2 categories:

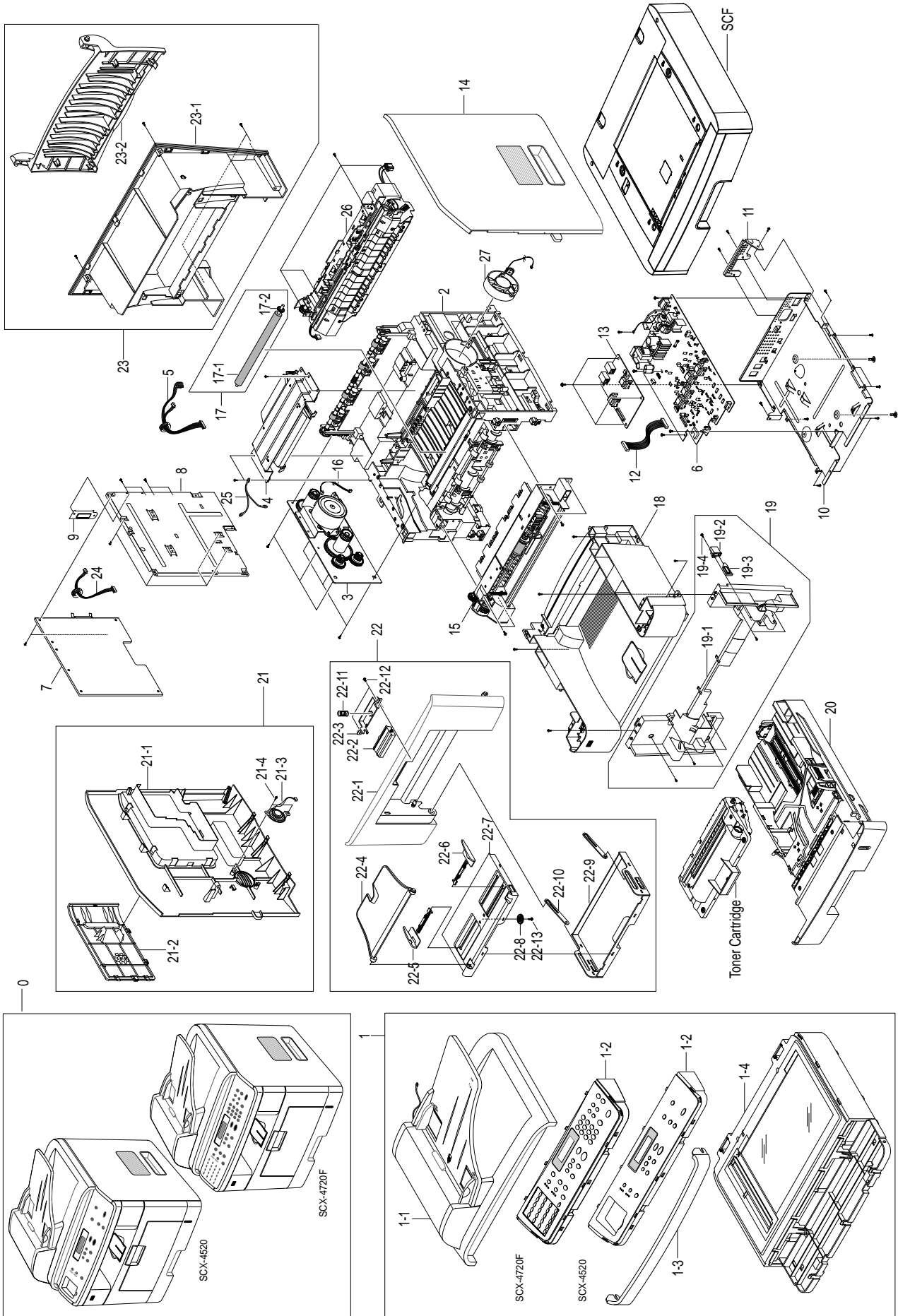
- **A/S privately used part** : It is only used for A/S .

- **Ass'y part** : Assemblies consisting of 2 or more parts. Also used for Service manuals, user guides and diagrams.

Ass'y parts and A/S privately used Parts can be distinguished by the part Code and Description. They are always Type 2 format. The 2 leading characters indicate private or assembly parts.

DIVISION	PART CODE	DESCRIPTION
A/S Private	**81-***** (JB81-00039A)	AS-***** (AS-USE)
ASS'Y Part	**75-***** (JB75-00068A)	MEC-***** (MEC-CHUTE)
ASS'Y Part	**92-***** (JB92-01131A)	PBA ***** (PBA MAIN-CONTROLLER)
ASS'Y Part	**97-***** (JB97-01089A)	MEA ***** (MEA UNIT-PULLEY IDLE)

8.1 Main Assembly



Main Assembly Parts List

SA : Service Available

O : Service available X : Service not available

No.	Description	SEC.Code	Q'ty	SA	Remark
0	SCX-4520				
	SCX-4720F				
1	ELA HOU-SCAN	JC96-03181A	1	X	SCX-4520
	ELA HOU-SCAN	JC96-03184A	1	X	SCX-4720F
1-1	ELA HOU-ADF	JC96-03169A	1	O	
1-2	ELA HOU-OPE	JC96-03183A	1	O	SCX-4520
	ELA HOU-OPE	JC96-03174A	1	O	SCX-4720F
1-3	COVER-M-OPE FRONT	JC63-00496A	1	O	
1-4	ELA HOU PLATEN	JC96-03172A	1	O	
2	FRAME-M-BASE	JC61-00906A	1	X	
3	ELA UNIT-RX DRIVE	JC96-03078A	1	O	
4	UNIT-HUMMINGBIRD LSU	JC59-00018B	1	O	
5	CBF HARNESS-LSU	JC39-00395A	1	O	
6	SMPS-V1	JC44-00070A	1	O	⚠ 110V
	SMPS-V2	JC44-00071A	1	O	⚠ 220V
7	PBA MAIN-MAIN CONTROLLER	JC92-01597A	1	O	SCX-4720F
	PBA MAIN-MAIN CONTROLLER	JC92-01598A	1	O	SCX-4520
8	SHIELD-P-CONTROLLER	JC63-00508A	1	X	
9	BRACKET-P-DUMMY CTRL	JC61-00679A	1	X	
10	MEA UNIT-SHIELD ENGINE	JC97-01943A	1	X	
11	BRACKET-P-INLET	JC61-00693A	1	X	
12	CBF HARNESS-HIGH LIU	JC39-00325A	1	O	
13	PBA SUB-LIU	JC92-01599A	1	O	RUSSIA
	PBA SUB-LIU	JC92-01599B	1	O	EU/SER
	PBA SUB-LIU	JC92-01599C	1	O	AUSTRALIA
14	COVER-M-SIDE R	JC63-00499A	1	O	
15	ELA UNIT-MP	JC96-03132B	1	O	
16	CBF HARNESS-MOTOR	JC39-00355A	1	O	
17	MEA ETC TR	JC97-01917A	1	O	
17-1	ROLLER-TRANSFER R2	JC66-00703A	1	X	
17-2	GEAR-TRANSFER	JC66-00395A	1	X	
18	ELA HOU-COVER MIDDLE	JC96-03247A	1	O	
19	MEA-COVER MID FRONT	JC97-02043A	1	O	
19-1	COVER-M-MID FRONT	JC63-00497A	1	O	
19-2	CAP-M-SUB ACTUATOR	JC67-00068A	1	X	
19-3	PMO-M-SUB ACTUATOR	JC72-01339A	1	X	
19-4	SCREW-TAPTITE	6003-000196	1	X	

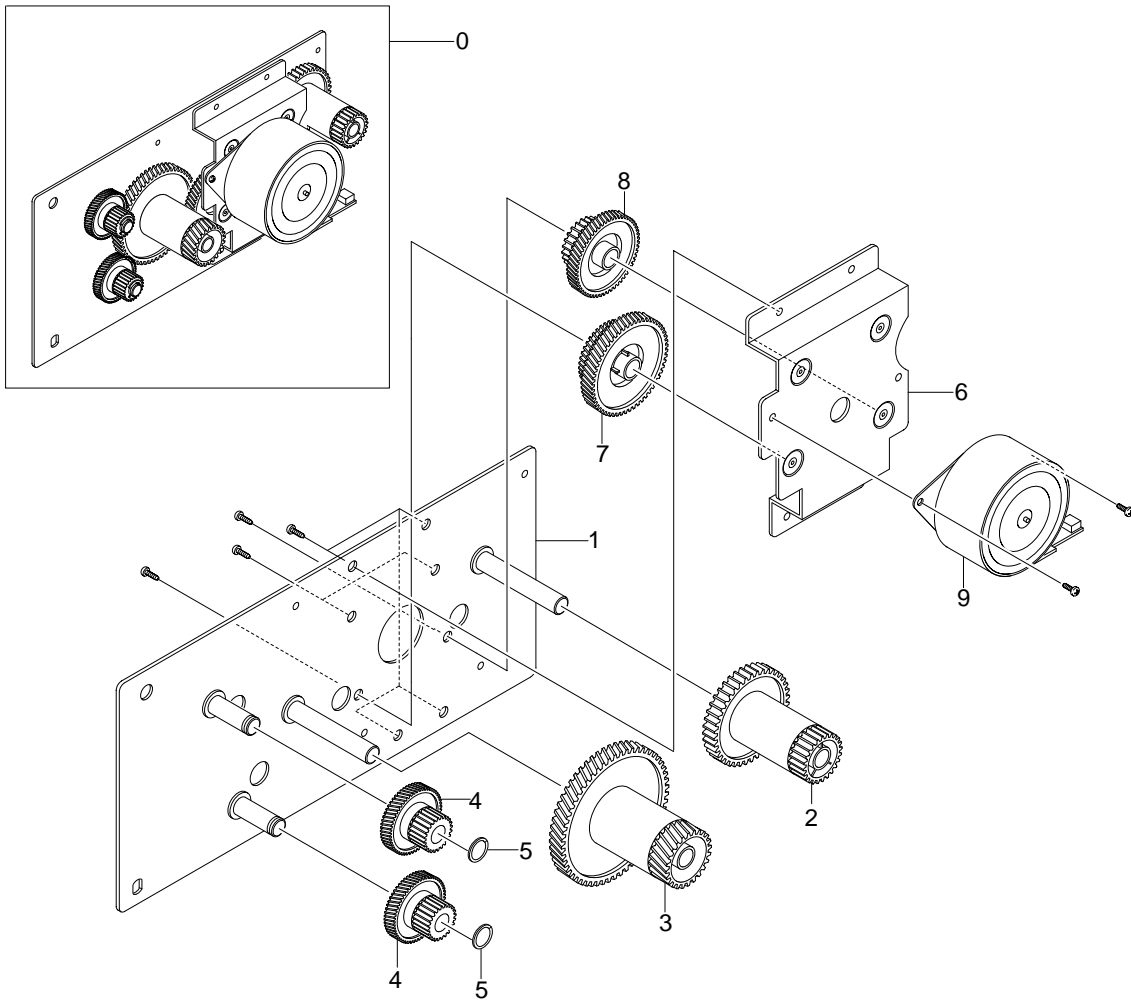
Main Assembly Parts List

SA : Service Available

O : Service available X : Service not available

No.	Description	SEC.Code	Q'ty	SA	Remark
20	MEA UNIT-CASSETTE	JC97-02020A	1	O	
21	ELA HOU-COVER SIDE L	JC96-03185A	1	O	
21-1	COVER-SIDE L	JC63-00500A	1	X	
21-2	COVER-DIMM	JC63-00501A	1	X	
21-3	SPEAKER	3001-001591	1	O	
21-4	SCREW-TAPTITE	6003-000264	2	X	
22	MEA-COVER FRONT	JC97-02019A	1	O	
22-1	COVER-M-FRONT	JC63-00505A	1	O	
22-2	KNOB-M-LOCKER	JC64-00154A	1	X	
22-3	HOLDER-M-LOCKER	JC61-00953A	1	O	
22-4	TRAY-M-EXIT-MP	JC63-00447A	1	X	
22-5	ADJUST-M-MP L	JC70-00478A	1	X	
22-6	ADJUST-M-MP R	JC70-00479A	1	X	
22-7	TRAY-M-COVER_MP	JC63-00446A	1	X	
22-8	GEAR-PINION	JG66-40003A	1	O	
22-9	TRAY-M-CASE_MP	JC63-00506A	1	X	
22-10	TRAY-M-LINK_MP	JC63-00444A	2	X	
22-11	SPRING-CIS(2)	JG61-70549A	1	X	
22-12	SCREW-TAPTITE	6003-000196	2	X	
22-13	SCREW-TAPTITE	6003-000264	1	X	
23	MEA -COVER REAR	JC97-02018A	1	O	
23-1	COVER-M-REAR	JC63-00503A	1	O	
23-2	COVER-FACE UP	JC63-00504A	1	O	
24	CBF HARNESS ENGINE	JC39-00240C	1	O	
25	CBF HARNESS-LSU GND	JC39-00375A	1	O	
26	ELA HOU-FUSER 110V	JC96-03210A	1	O	⚠ 110V
	ELA HOU-FUSER 220V	JC96-03260A	1	O	⚠ 220V
27	FAN-DC	JC31-00025A	1	O	

8.2 RX Drive Assembly

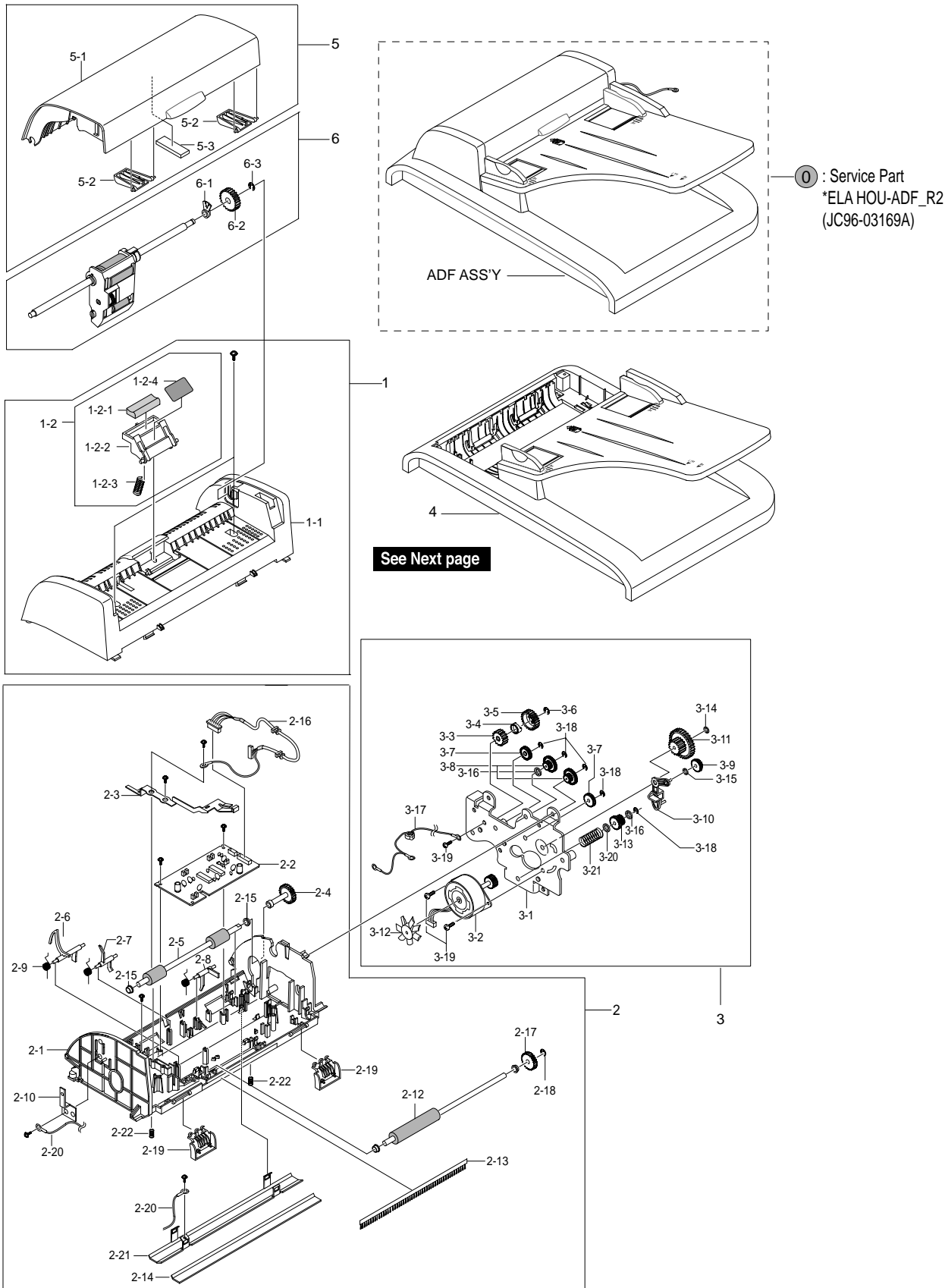


RX Drive Assembly Parts List

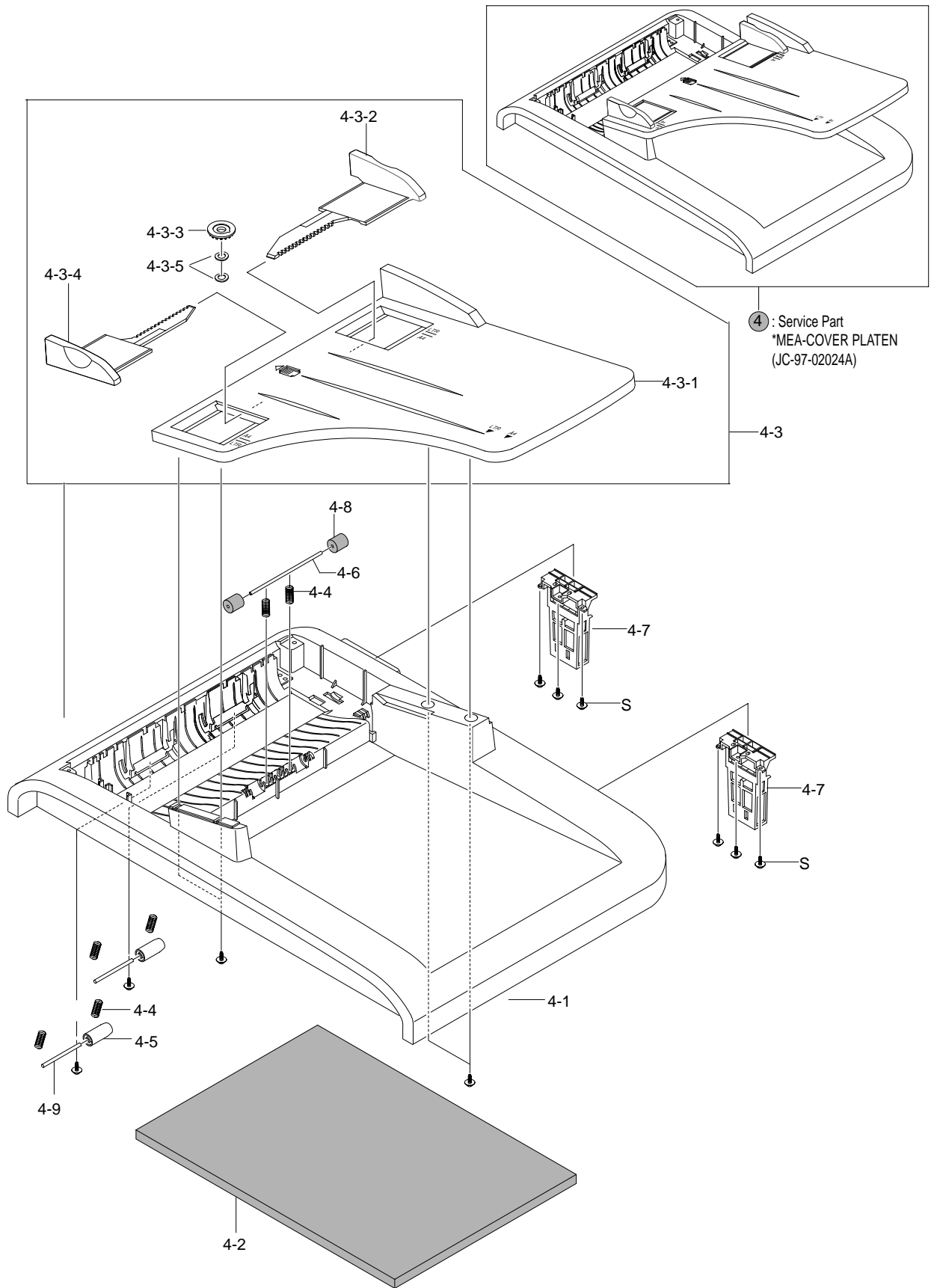
SA : Service Available
 O : Service available X : Service not available

No.	Description	SEC.Code	Q'ty	SA	Remark
0	ELA UNIT-RX DRIVE	JC96-03078A	1	O	
1	BRACKET-GEAR MAIN	JC61-00891A	1	X	
2	GEAR-RDCN 53/26	JC66-00388A	1	O	
3	GEAR-RDCN 113/33	JC66-00706A	1	X	
4	GEAR-RDCN 57/18	JC66-00389A	2	O	
5	WASHER-PLAIN	6031-000023	2	X	
6	BRACKET-MOTOR MAIN R2	JC61-00916A	1	X	
7	GEAR-RDCN 103/41	JC66-00390A	1	O	
8	GEAR-RDCN 90/31	JC66-00392A	1	O	
9	MOTOR STEP-MAIN	JC31-00037A	1	O	

8.3 ADF Assembly



ADF Assembly Continued.



④ : Service Part
*MEA-COVER PLATEN
(JC-97-02024A)

ADF Assembly Parts List

SA : Service Available
 O : Service available X : Service not available

No.	Description	SEC.Code	Q'ty	SA	Remark
①	ELA HOU-ADF-R2	JC96-03169A	1	O	
1	MEA UNIT-ADF UPPER	JC97-02022A	1	X	
1-1	COVER-ADF UPPER R2	JC63-00450A	1	O	
1-2	MEA-HOLDER PAD ADF	JC97-02137B	1	O	
1-2-1	RMO-ADF RUBBER	JB73-00052A	1	X	
1-2-2	HOLDER-PAD ADF	JC61-00893A	1	X	
1-2-3	SPRING ETC-PAD	JC61-00387A	1	X	
1-2-4	SHEET-ADF HOLDER	JC63-00373A	1	X	
2	ELA HOU-ADF LOWER	JC96-03171A	1	X	
2-1	COVER-M-ADF LOWER R2	JC63-00370B	1	O	
2-2	PBA SUB-ADF	JC92-01618A	1	O	
2-3	GROUND-P-ADF R2	JC63-00372A	1	X	
2-4	SHAFT-M-FEED GEAR 38	JC66-00460A	1	X	
2-5	ROLLER-DRIVE	JC66-00560A	1	X	
2-6	PMO-ACT EMPTY ADF	JC72-01320A	1	O	
2-7	PMO-ACTUATOR REGI SENSOR	JC72-01010A	1	O	
2-8	PMO-ACTUATOR SCAN SENSOR	JC72-01011A	1	O	
2-9	SPRING ETC-TORSION DOC (CC2-F)	JB61-00076A	3	X	
2-10	IPR-GROUND_ROLLER	JC70-10467A	1	X	
2-12	ROLLER-EXIT	JC66-00559A	1	X	
2-13	MEC-BRUSH ANTISTATIC	JC75-00095A	1	X	
2-14	PPR-WHITE BAR SHEET	JC72-00752A	1	X	
2-15	PMO-BUSH	JB72-00819A	4	X	
2-16	CBF HARNESS-ADF	JC39-00351A	1	O	
2-17	GEAR-AGITATOR-2	JC66-00310A	1	X	
2-18	RING-C	6044-000159	1	X	
2-19	GUIDE-STACKER SUB	JC61-00712A	2	X	
2-20	CBF HARNESS ADF ROLLER GND	JC39-00187A	1	X	
2-21	IPR-BRKT WHITE BAR	JC70-00225A	1	X	
2-22	SPRING ETC WHITE BAR	JC61-00548A	2	X	
3	ELA HOU-ADF MOTOR	JC96-03065A	1	O	
3-1	BRACKET-GEAR ADF	JC61-00892A	1	X	
3-2	MOTOR STEP-ADF	JC31-00036A	1	X	
3-3	GEAR-CLUTCH 29	JB66-00101A	1	X	
3-4	PMO-WHITE CLUTCH SUB 29	JB72-00844A	1	X	
3-5	GEAR-CLUTCH 39	JC66-00322A	1	X	
3-6	RING-C	6044-000159	1	X	
3-7	GEAR-IDLE 35 ADF	JC66-00458A	2	X	
3-8	GEAR-40/21 ADF	JC66-00456A	1	X	

ADF Assembly Parts List(cont.)

SA : Service Available

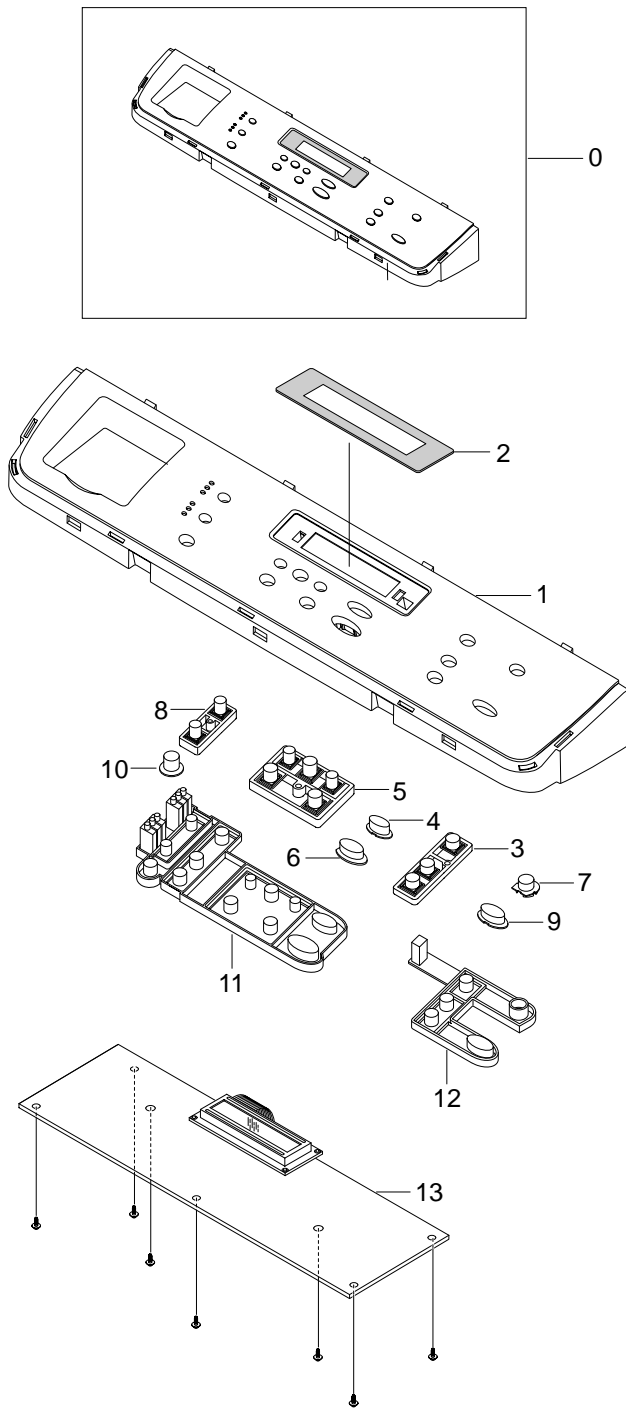
O : Service available X : Service not available

No.	Description	SEC.Code	Q'ty	SA	Remark
3-9	GEAR-SWING 31/20 ADF	JC66-00457A	1	X	
3-10	LINK-M-SWING ADF	JC66-00454A	1	X	
3-11	GEAR-58/25 ADF	JC66-00455A	1	X	
3-12	IMPELLER-ADF	JC66-00556A	1	X	
3-13	GEAR-REMOVE ADF	JC66-00557B	1	X	
3-14	WASHER PLAIN	6031-000023	1	X	
3-15	IPR-WASHER WAVE	JB70-00070A	1	O	
3-16	WASHER-PLAIN	6031-000019	2	X	
3-17	CBF HARNESS-ADF GND	JC39-00363A	1	X	
3-18	RING-E	6044-000125	6	X	
3-19	SCREW-TAPTITE	6003-000269	3	X	
3-20	WASHER-PLAIN	6031-001511	1	X	
3-21	SPRING ETC PAD	JC61-00387A	1	X	

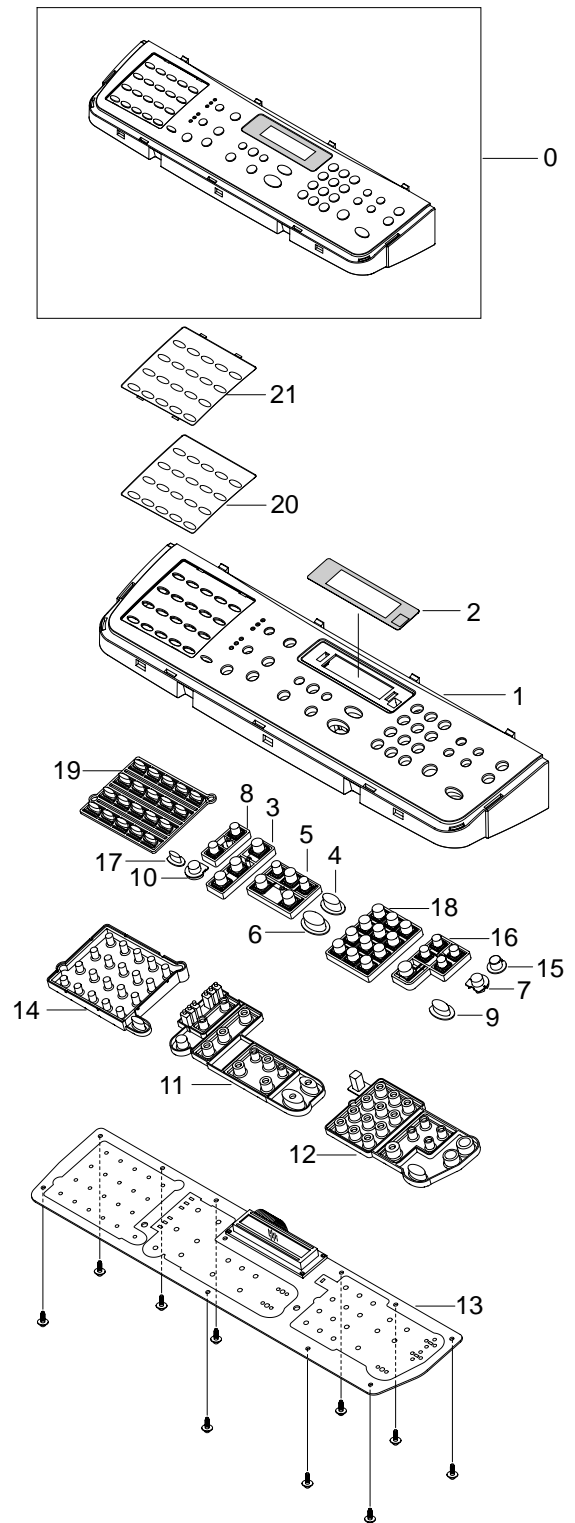
No.	Description	SEC.Code	Q'ty	SA	Remark
④	MEA-COVER PLATEN	JC97-02024A	1	O	
4-1	COVER-M-PLATEN R2	JC63-00374B	1	O	
4-2	SHEET-WHITE SPONGE	JC63-00209A	1	O	
4-3	MEA-TX STACKER	JC97-01544B	1	O	
4-3-1	PMO-TX STACKER	JB72-01166B	1	O	
4-3-2	PMO-DOC GUIDE(L)	JB72-01171B	1	X	
4-3-3	GEAR-PINION	JG66-40003A	1	O	
4-3-4	PMO-DOC GUIDE(R)	JB72-01170B	1	X	
4-3-5	IPR-WASHER SPRING CU	JF70-10616A	2	X	
4-4	SPRING ETC-FEED	JC61-00011A	6	X	
4-5	PMO-ROLL PINCH	JG72-40663A	2	X	
4-6	ICT-SHAFT PINCH	JF70-40521B	1	X	
4-7	MEA UNIT-HINGE	JC97-01707A	2	O	
4-8	RPR-ROLLER EXIT IDLE	JC73-00091A	2	O	
4-9	SHAFT-IDLE FEED	JC66-00558A	2	O	
5	MEA-COVER OPEN R2	JC97-02023A	1	X	
5-1	COVER-M-ADF OPEN	JC63-00498A	1	O	
5-2	PMO-GUIDE PAPER	JB72-00843A	2	X	
5-3	DAMPER-PICKUP ADF	JC66-00726A	1	X	
6	MEA UNIT-PICKUP	JC97-01962A	1	O	
6-1	STOPPER-M-PICKUP ADF	JC61-00963A	1	X	
6-2	GEAR-ADF 38	JB66-00103A	1	X	
6-3	RING-C	6044-000159	1	X	

8.4 OPE Unit Assembly

(SCX-4520)



(SCX-4720F)



OPE Unit Assembly Parts List

SA : Service Available

O : Service available X : Service not available

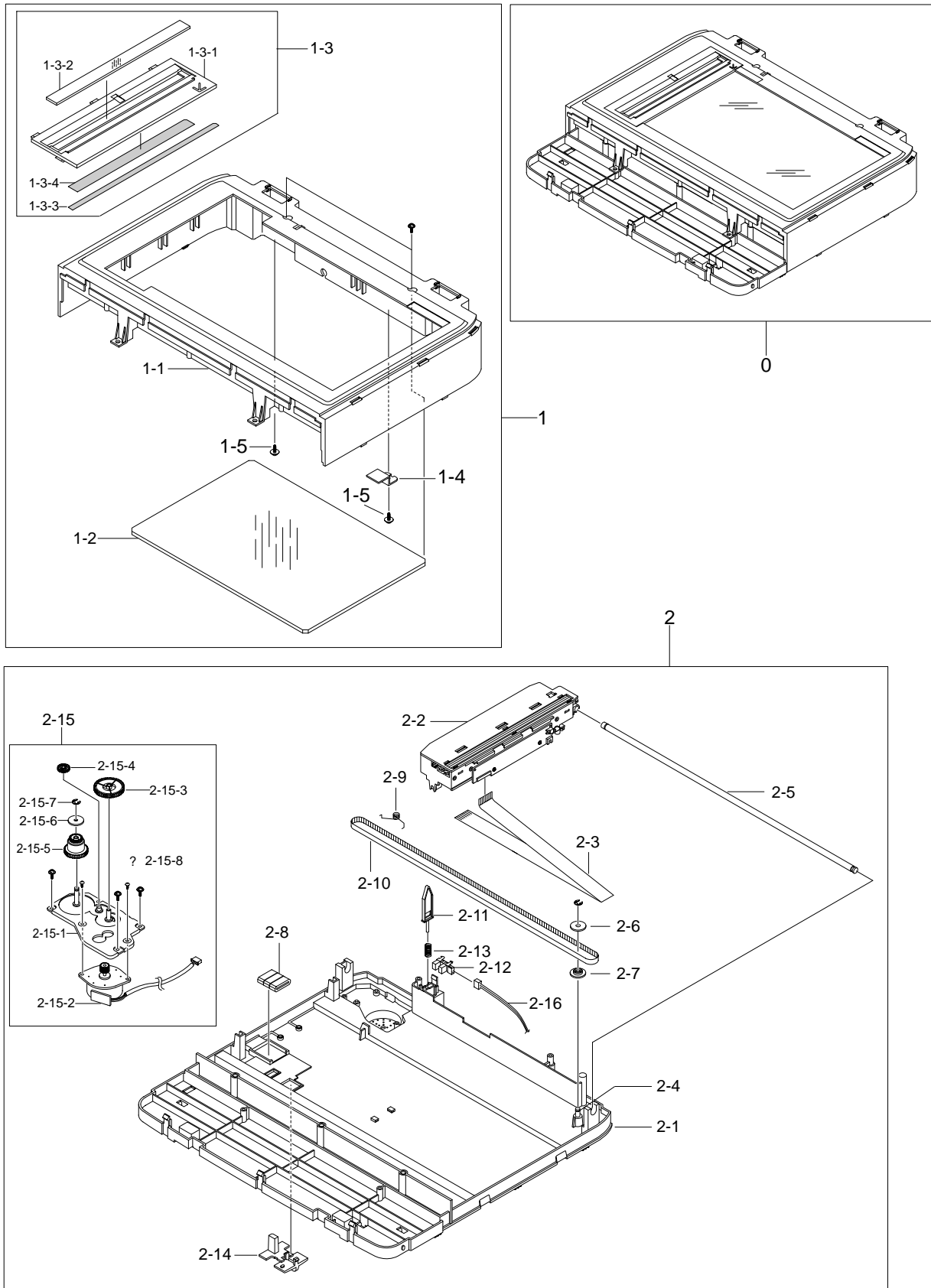
[SCX-4520]

No.	Description	SEC.Code	Q'ty	SA	Remark
0	ELA HOU-OPE 3IN1	JC96-03174A	1	O	
1	COVER-M-OPE (3IN1)	JC63-00496A	1	O	
2	WINDOW-LCD_R2_SEC2	JC64-00171B	1	X	
3	KEY-M_COPY(3IN1)	JC64-00054C	1	X	
4	KEY-M-STOP	JC64-00055A	1	X	
5	KEY-M_SCROLL_R2	JC64-00056D	1	X	
6	KEY-M-START(3IN1)	JC64-00057B	1	X	
7	KEY-M-TONER SAVE	JC64-00058A	1	X	
8	KEY-M_RESOLUTION_R2	JC64-00059C	1	X	
9	KEY-M-DIRECT PRINT	JC64-00155A	1	X	
10	KEY-M-SCAN TO	JC64-00157A	1	X	
11	RUBBER-COPY/SCROLL	JC73-00189A	1	X	
12	RUBBER-COPY_3IN1	JC73-00192A	1	X	
13	PBA SUB-OPE	JC92-01625A	1	O	
S	SCREW-TAPTITE	6003-000196	7	X	

[SCX-4720F]

No.	Description	SEC.Code	Q'ty	SA	Remark
0	ELA HOU-OPE 4IN1	JC96-03174A	1	O	
1	COVER-M-OPE SEC	JC63-00495A	1	X	
2	WINDOW-LCD_R2_SEC	JC64-00171A	1	X	
3	KEY-M_COPY_R2	JC64-00054C	1	X	
4	KEY-M-STOP	JC64-00055A	1	X	
5	KEY-M_SCROLL_R2	JC64-00056D	1	X	
6	KEY-M-START	JC64-00057E	1	X	
7	KEY-M-TOLL SAVE	JC64-00061A	1	X	
8	KEY-M_RESOLUTION_R2	JC64-00059C	1	X	
9	KEY-M-DIRECT PRINT	JC64-00155A	1	X	
10	KEY-M-SCAN TO	JC64-00157A	1	X	
11	RUBBER-COPY/SCROLL	JC73-00189A	1	X	
12	RUBBER-TELL/FAX_SEC	JC73-00191A	1	X	
13	PBA SUB-OPE_4720F	JC92-01625A	1	O	
14	RUBBER-ONE TOUCH	JC73-00190A	1	X	
15	KEY-M-TONER SAVE	JC64-00058A	1	X	
16	KEY-M_FAX_R2	JC64-00060C	1	X	
17	KEY-M-SHIFT	JC64-00156A	1	X	
18	KEY-M_TEL_R2	JC64-00053D	1	X	
19	PMO KEY OT	JC72-00275B	1	X	
20	LABEL(P)-ONE TOUCH	JC68-00651G	1	X	
21	MPR-COVER ADDRESS	JG74-10543A	1	X	
S	SCREW-TAPTITE	6003-000196	10	X	

8.5 Scanner Assembly



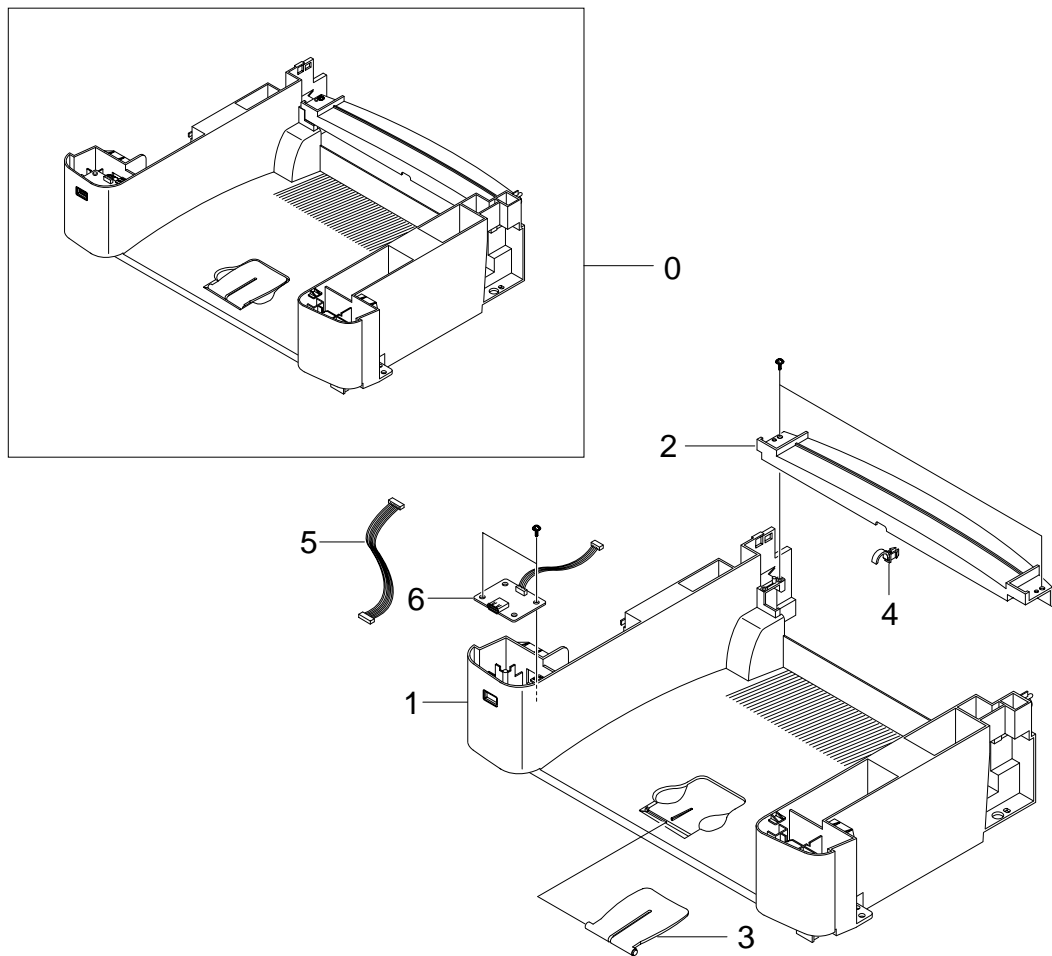
Scanner Assembly Parts List

SA : Service Available

O : Service available X : Service not available

No.	Description	SEC.Code	Q'ty	SA	Remark
0	ELA HOU-PLATEN	JC96-03172A	1	O	
1	MEA UNIT-SCAN UPPER	JC97-02025A	1	O	
1-1	COVER-SCAN UPPER	JC63-00494A	1	X	
1-2	GLASS-SCAN	JC01-00001A	1	O	
1-3	MEA-SCAN DUMMY	JC97-02026A	1	X	
1-3-1	COVER-M-SCAN DUMMY R2	JC63-00152E	1	X	
1-3-2	MCT-GLASS ADF	JC74-00021A	1	X	
1-3-3	TAPE-DOUBLE FACE	0203-001266	1	X	
1-3-4	LABEL(P)-SHADING	JB68-00644A	1	X	
1-4	IPR-HOLDER GLASS	JB70-00148A	2	X	
1-5	SCREW-TAPPING	6002-00175	2	X	
2	ELA HOU-SCAN LOWER	JC96-03173A	1	X	
2-1	COVER-SCAN LOWER	JC63-00493A	1	O	
2-2	ELA HOU-CCD MODULE	JC96-02759B	1	O	
2-3	CBF SIGNAL-CCD FFC	JC39-00367A	1	X	
2-4	ICT-INSERT SHAFT	JB70-00154A	1	X	
2-5	ICT-SHAFT CCD	JB70-00145A	1	X	
2-6	PMO-HOLDER BELT	JB72-00764A	1	X	
2-7	PMO-PULLEY	JB72-00763A	1	X	
2-8	ELA UNIT-CORE	JB96-01381A	3	X	
2-9	SPRING ETC-BELT	JB61-00059A	1	X	
2-10	BELT-TIMING GEAR	6602-001067	1	O	
2-11	PMO-LEVER SENSOR	JC72-00755A	1	X	
2-12	PHOTO-INTERRUPTER	0604-001095	1	O	
2-13	SPRING-CS	6107-001135	1	X	
2-14	HOLDER-CCD	JC61-00894A	1	X	
2-15	ELA HOU-SCAN MOTOR	JC96-03069A	1	O	
2-15-1	BRACKET-SCAN MOTOR R2	JC61-00895A	1	X	
2-15-2	MOTOR STEP-SCAN	JB31-00011A	1	X	
2-15-3	GEAR-REDUCTION	JC66-00530A	1	X	
2-15-4	GEAR-IDLE	JB66-00083A	1	X	
2-15-5	GEAR-TIMING	JC66-00531A	1	X	
2-15-6	PMO-HOLDER BELT	JB72-00764A	1	X	
2-15-7	RING-E	6044-000125	1	X	
2-16	CBF-HARNESS-PLATEN	JC39-00362A	1	X	

8.6 Middle Cover Assembly



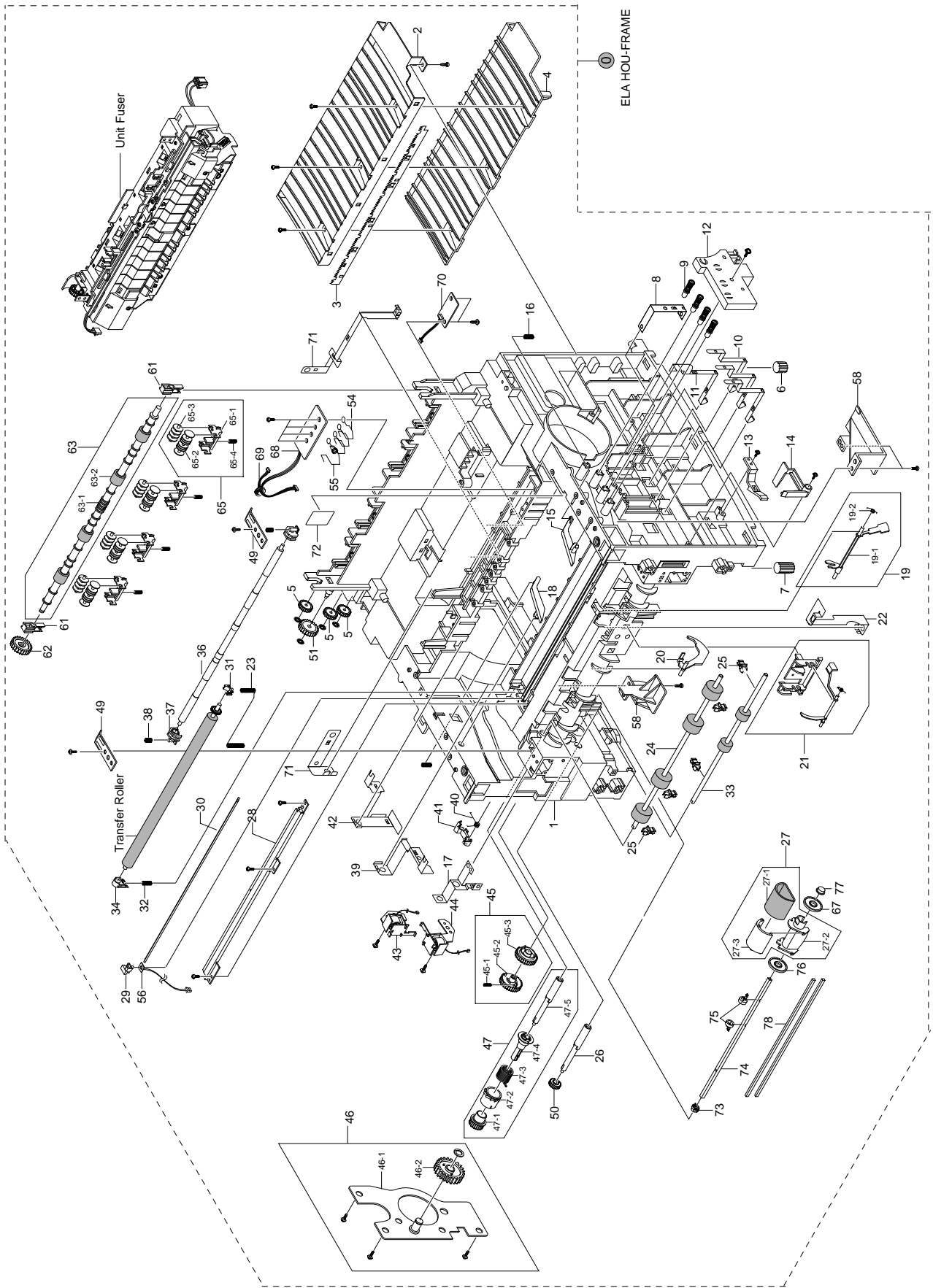
Middle Cover Assembly Parts List

SA : Service Available

O : Service available X : Service not available

No.	Description	SEC.Code	Q'ty	SA	Remark
0	ELA HOU-COVER MIDDLE	JC96-03247A	1	O	
1	COVER-M-MIDDLE R2	JC63-00502A	1	O	
2	COVER-REAR UPPER	JC63-00388B	1	O	
3	PMO-STACKE_RX	JC72-00973A	1	O	
4	BUSH-F/DOWN R2	JC61-00902A	1	X	
5	CBF HARNESS-OPE	JC39-00350A	1	O	
6	PBA SUB-USB HOST	JC92-01636A	1	O	

8.7 Frame Assembly



Frame Assembly Parts List

SA : Service Available

O : Service available X : Service not available

No.	Description	SEC.Code	Q'ty	SA	Remark
①	ELA HOU-FRAME 110V	JC96-03186A	1	X	⚠ 110V
	ELA HOU-FRAME 220V	JC96-03187A	1	X	⚠ 220V
1	FRAME-BASE R2	JC61-00906A	1	X	
2	GUIDE-P-TR	JC61-00607A	1	O	
3	PLATE-P-SAW	JC61-00604B	1	X	
4	GUIDE-M-TR RIB	JC61-00594A	1	O	
5	PMO-GEAR_EXIT_DRV16	JC72-00143A	3	X	
6	FOOT-BACK	JC61-00835A	2	X	
7	FOOT-FRONT	JC61-00836A	2	O	
8	GROUND-GUDIE TR R2	JC63-00397A	1	X	
9	MEC-TERMINAL	JC75-00049A	4	O	
10	PLATE-TERMINAL CON R2	JC61-00903A	3	X	
11	PLATE-TERMINAL CR R2	JC61-00904A	1	X	
12	HOUSING-TERMINAL R2	JC61-00911A	1	X	
13	PMO-LOCKER CST	JC72-00983A	2	O	
14	PMO-ACTUATOR CVR OPEN	JC72-00974A	1	O	
15	PMO-PLATE GUIDE DEVE_R	JC72-00985A	1	O	
16	SPRING ETC-GUIDE DEVE	JC61-70932A	2	O	
17	GROUND-PUSH BUSHING	JC63-00401A	1	X	
18	PMO-PLATE GUIDE DEVE_L	JC72-00984A	1	O	
19	PMO-ACT FEED R2	JC72-01323A	1	X	
20	PMO-ACTUATOR EMPTY	JC72-00975A	1	O	
21	PMO-ACT MANUAL R2	JC72-01324A	1	O	
22	GROUND-EARTH TR R2	JC63-00395A	1	X	
23	GROUND-TERMINAL TR	JC63-00403A	1	X	
24	ROLLER-FEED ROLLER 1	JC66-00526A	1	O	
25	PMO-BUSHING FEED	JC72-00382B	5	X	
26	SHAFT-FEED	JC66-00398A	1	O	
27	MEA UNIT-PICKUP	JC97-01926A	1	O	
27-1	SPONGE-ROLLER PICK_UP	JC72-01231A	1	O	
27-2	HOUSING-PICK UP_R2	JC61-00909A	1	O	
27-3	HOUSING-PICK UP2_R2	JC61-00910A	1	O	
28	IPR-P-EARTH TRANSFER	JC70-00307A	1	O	
29	HOLDER-PTL R2	JC61-00907A	1	O	
30	LENS-PTL	JC67-00027A	1	O	
31	PMO-BUSHING_TR(L)	JC72-00102A	1	O	
32	SPRING ETC-TR L HAWK	JC61-00047A	1	O	
33	ROLLER-FEED	JC66-00598A	1	O	

Frame Assembly Parts List(Cont.)

SA : Service Available

O : Service available X : Service not available

No.	Description	SEC.Code	Q'ty	SA	Remark
34	BUSH-M-TR L	JC61-00588A	1	O	
36	SHAFT-FEED IDLE	JC66-00527A	1	O	
37	BUSH-M-FEED IDLE	JC61-00585A	2	O	
38	SPRING ETC-TR	JC61-70958A	2	X	
39	GROUND-DRIVE2 R2	JC63-00398A	1	X	
40	SPRING-TS	6107-001170	1	X	
41	CAM-M-PICK_UP	JC66-00377A	1	O	
42	GROUND-DRIVE R2	JC63-00394A	1	O	
43	SOLENOID-FEED ROCKY2	JC33-00014A	1	O	
44	SOLENOID-HB (MANUAL)	JC33-00010A	1	O	
45	MEA UNIT-GEAR PICKUP	JC97-01929A	1	O	
45-1	GEAR-PICK UP B_R2	JC66-00705A	1	X	
45-2	GEAR-PICK UP A_R2	JC66-00704A	1	X	
45-3	SPRING-CS	6107-001167	1	X	
46	MEA UNIT-BRACKET FEED	JC97-01925A	1	O	
46-1	BRACKET-FEED R2	JC61-00913A	1	O	
46-2	GEAR-Z35 IDLE	JC66-00690A	1	X	
47	MEA UNIT-CLUTCH	JC97-01788A	1	O	
47-1	GEAR-FEED 1	JC66-00393A	1	O	
47-2	PMO-COLLAR_SPRING	JC72-00978A	1	O	
47-3	SPRING-TS	6107-001171	1	O	
47-4	PMO-HUB CLUTCH	JC72-00981A	1	X	
47-5	SHAFT-FEED	JC66-00398A	1	O	
49	PLATE-PUSH BUSHING	JC61-00914A	2	X	
50	GEAR-FEED 2	JC66-00394A	1	O	
51	GEAR-IDLE 23	JC66-00396A	1	O	
52	SPRING-TS	6107-001164	1	X	
53	SPRING-TS	6107-001165	1	X	
54	IPR-P-TERMINAL DEVE KEY	JC70-00340A	3	X	
55	GROUND-TERMINAL DEVE	JC63-00458A	1	X	
56	PBA SUB-PTL	JC92-01620A	1	O	
58	HOLDER-TERMINAL R2	JC61-00908A	1	X	
59	HOLDER-ACT MANUAL R2	JC61-00912A	1	X	
61	HOLDER-BEARING EXIT F/DOWN	JC61-00829A	2	X	
62	GEAR-EXIT F/DOWN	JC66-00038A	1	O	
63	ROLLER-EXIT F/DOWN	JC66-00378A	1	O	
64	RMO-RUBBER EXIT	JC73-40915A	4	O	

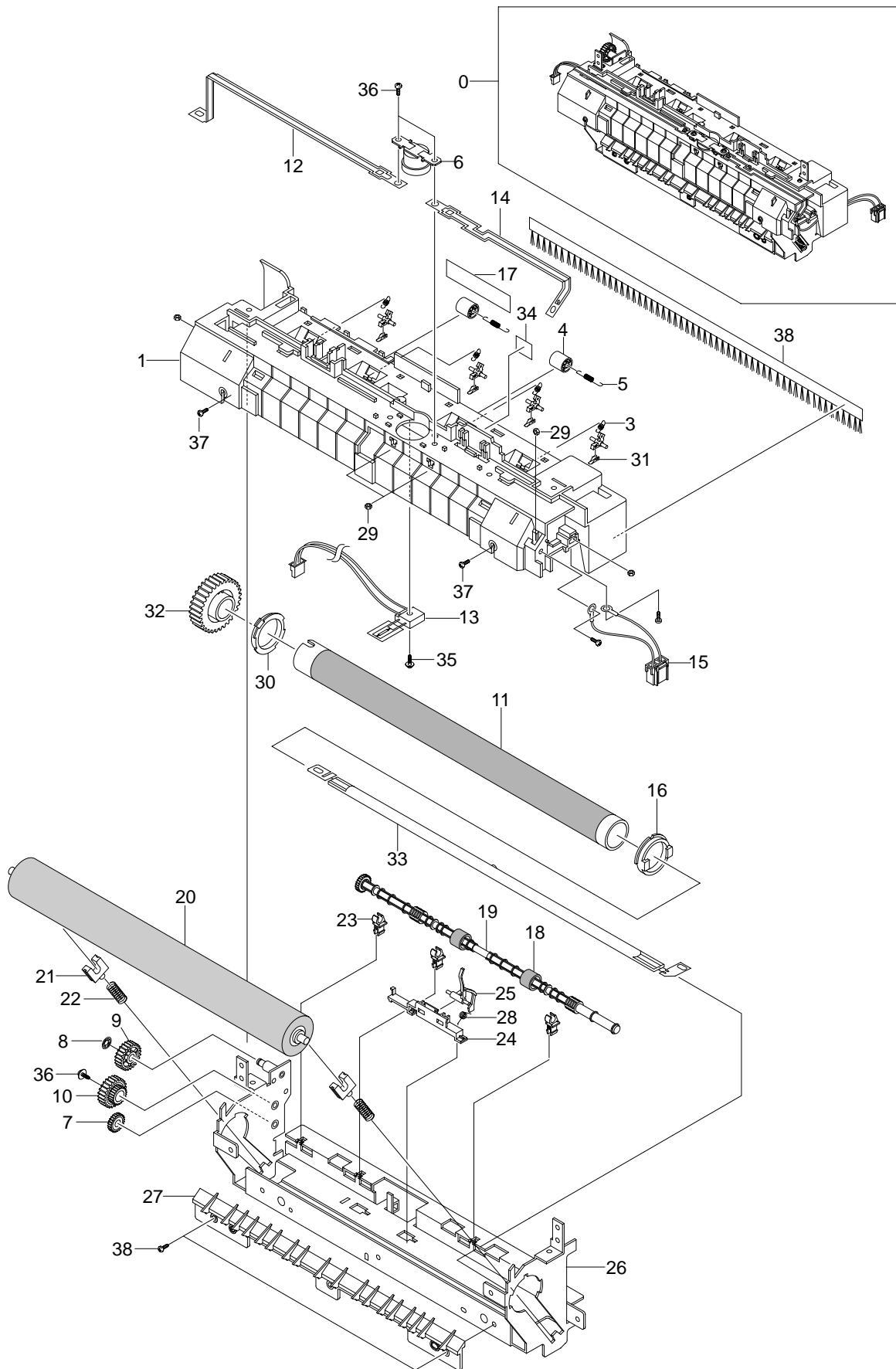
Frame Assembly Parts List(Cont.)

SA : Service Available

O : Service available X : Service not available

No.	Description	SEC.Code	Q'ty	SA	Remark
65	MEA RACK-EXIT ROLLER	JC97-01034A	4	X	
65-1	PMO-HOLDER EXIT ROLL	JC72-41006A	1	X	
65-2	PMO-ROLLER FD F	JC72-41007A	1	X	
65-3	PMO-ROLLER FD R	JC72-41008A	1	X	
65-4	SPRING ETC-EXIT ROLL FD	JC61-70911A	1	X	
66	GUIDE-SUB FRONT	JC61-00917A	1	X	
68	PBA-SUB-CRUM	JC92-01605A	1	O	
69	CBF HARNESS CRUM2	JC39-00356A	1	X	
70	PBA SUB-EXIT SENSOR	JC92-01604A	1	O	
71	GROUND-SHIELD R2	JC63-00402A	1	X	
72	LABEL(R)-HOT CAUTION,KME	JC68-00317A	1	X	
73	BUSH-M-PICK_UP L	JC61-00586A	1	O	
74	SHAFT-P-PICK_UP	JC66-00399A	1	O	
75	STOPPER-PICK UP_R2	JC61-00915A	2	X	
76	PMO-IDLE PICK_UP	JC72-00982A	2	X	
77	BUSH-M-PICK_UP R	JC61-00587A	1	O	
78	SHAFT-CORE	JC66-00720A	2	X	

8.8 Fuser Assembly

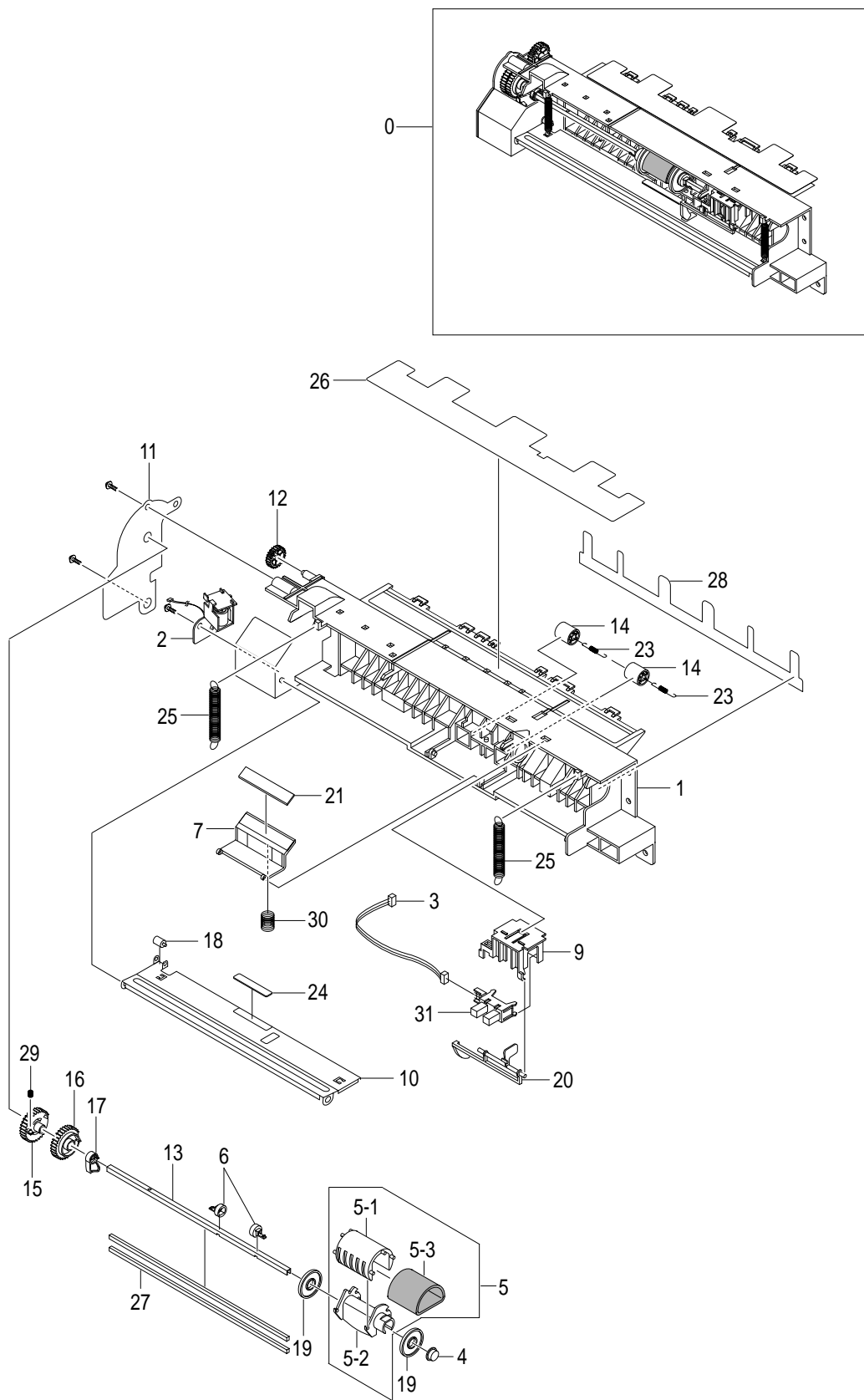


Fuser Assembly Parts List

SA : Service Available
 O : Service available X : Service not available

No.	Description	SEC.Code	Q'ty	SA	Remark
0	ELA HOU-FUSER 110V	JC96-03210A	1	O	⚠ 110V
	ELA HOU-FUSER 220V	JC96-03260A	1	O	⚠ 220V
1	COVER-FUSER R2	JC63-00363A	1	X	
2	HOLDER-PLATE CLAW R2	JC61-00886A	4	X	
3	SPRING ETC-CLAW	JC61-00064A	4	X	
4	PMO-ROLLER_EXIT	JC72-40361A	2	X	
5	SPRING ETC-FUSER EXIT	JC61-70976A	2	X	
6	THERMOSTAT-150	JC47-00005A	1	O	
7	PMO-GEAR_EXIT_DRV16	JC72-00143A	1	X	
8	GEAR-IDLE 23	JC66-00396A	1	O	
9	RING-E	6044-000125	1	X	
10	GEAR-RDCN 25/15	JC66-00397A	1	O	
11	ROLLER-HEAT_210	JC66-00729B	1	X	
12	ELECTRODE-LFET R2	JC70-00473A	1	X	
13	THERMISTOR-NTC	1404-001337	1	X	
14	ELECTRODE-RIGHT R2	JC70-00472A	1	X	
15	CBF HARNESS-FUSER 110V	JC39-00353A	1	X	WHITE
	CBF HARNESS-FUSER 220V	JC39-00354A	1	X	BLACK
16	BUSH-HR R_R2	JC61-00887A	1	X	
17	LABEL(P)-CAUTION, HOT_FUSER	JC68-30928D	1	X	
18	RMO-RUBBER_EXIT	JC73-00017A	2	X	
19	ROLLER-M-EXIT F/UP	JC66-00380A	1	O	
20	ROLLER-PRESSURE	JC66-00600B	1	O	
21	BEARING-PRESSURE/R	JC66-10901A	2	X	
22	SPRING-CS	6107-001168	2	X	
23	PMO-BUSHING TX	JC72-00382A	3	X	
24	HOLDER-ACTUATOR	JC61-00581A	1	X	
25	PMO-ACTUATOR EXIT R2	JC72-01319A	1	X	
26	FRAME-FUSER R2	JC61-00890A	1	X	
27	GUIDE-INPUT R2	JC61-00889A	1	X	
28	SPRING-TS	6107-001165	1	X	
29	NUT-HEXAGON	6021-000222	5	X	
30	BUSH-HR L_R2	JC61-00888A	1	X	
31	PLATE-P-CLAW	JC61-00605A	4	X	
32	GEAR-FUSER R2	JC66-00695A	1	X	
33	LAMP-HALOGEN 110V	4713-001182	1	O	⚠ 110V
	LAMP-HALOGEN 220V	4713-001183	1	O	⚠ 220V
34	LABEL(R)-LV FUSER	JC68-00408A	1	X	
35	SCREW-TAPTIEE	6003-000196	1	X	
36	SCREW-ASS'Y MACH	6006-001193	6	X	
37	SCREW-TAPTIEE	6003-000269	6	X	
38	BRUSH-ANTISTAIC	JC75-00095A	1	X	

8.9 MP Assembly

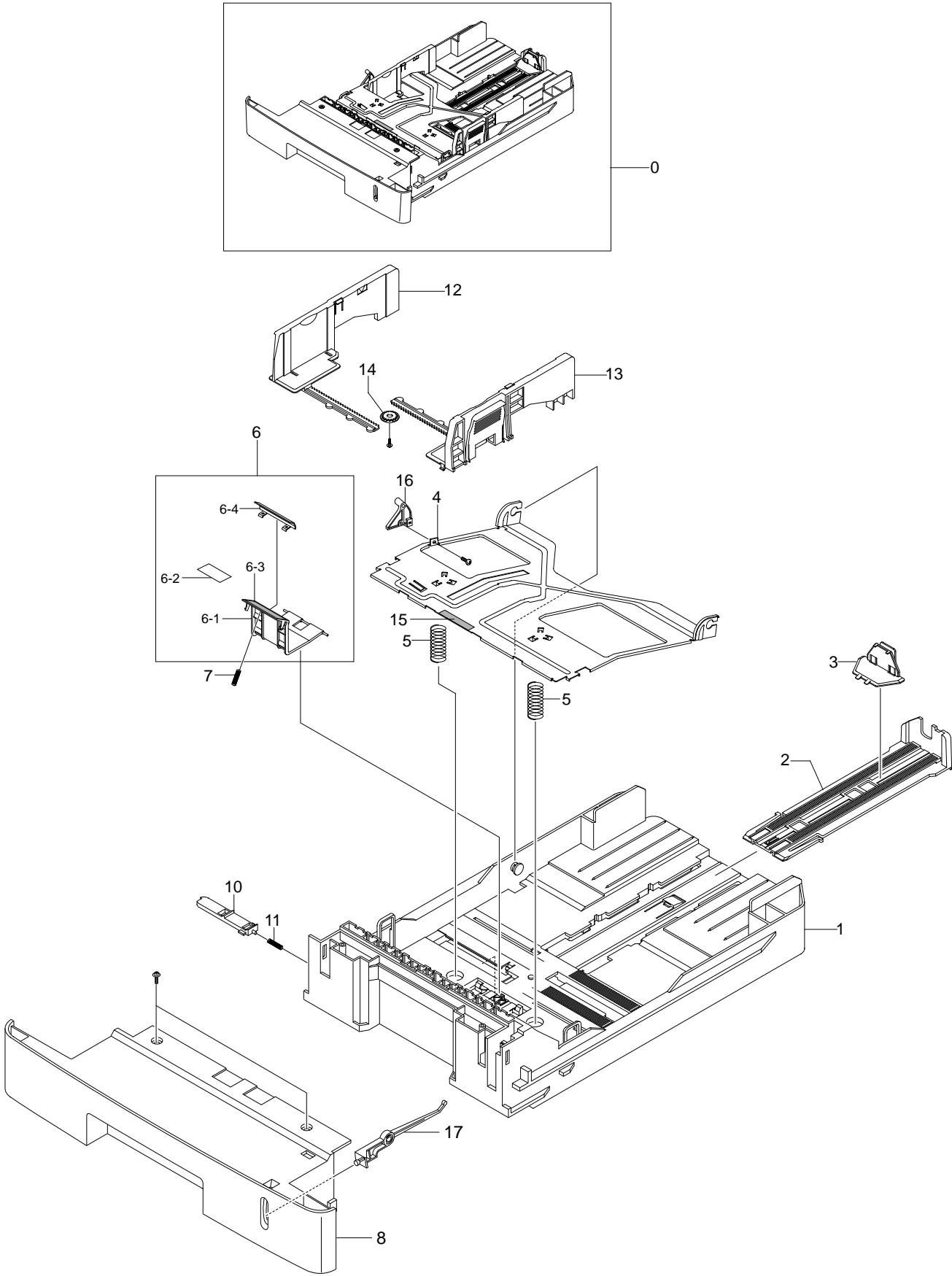


MP Assembly Parts List

SA : Service Available
 O : Service available X : Service not available

No.	Description	SEC.Code	Q'ty	SA	Remark
0	ELA UNIT-MP	JC96-03132B	1	O	
1	FRAME-17-MP	JC61-00923A	1	X	
2	SOLENOID-MP	JC33-00015B	1	X	
3	CBF HARNESS-MPF SEN	JC39-00365B	1	X	
4	BUSH-M-PICK-UP R	JC61-00587A	1	O	
5	MEA UNIT-PICK UP	JC97-02034A	1	O	
5-1	HOUSING-M-PICK UP2_R2	JC61-00909A	1	O	
5-2	HOUSING-M-PICK UP_MP	JC61-00925A	1	X	
5-3	RUBBER-PICK UP_MP	JC73-00194A	1	X	
6	STOPPER-M-PICK UP_R2	JC61-00915A	2	X	
7	HOLDER-M-PAD_MP	JC61-00924A	1	O	
9	HOLDER-M-SENSOR_MP	JC61-00926A	1	X	
10	PLATE-P-KNOCK UP_MP	JC61-00927A	1	X	
11	BRACKET-P-PICK UP_MP	JC61-00932A	1	X	
12	GEAR-IDLE 23	JC66-00396A	1	O	
13	SHAFT-P-PICK_UP	JC66-00399A	1	O	
14	ROLLER-M-IDLE FEED	JC66-00529A	2	O	
15	GEAR-M-PICK UP_MP	JC66-00710A	1	X	
16	GEAR-M-HOLDER_MP	JC66-00709A	1	X	
17	CAM-M-PICK UP_MP	JC66-00711A	1	X	
18	PMO-ROLLER CAM_MP	JC72-00761A	1	X	
19	PMO-IDLE PICK UP	JC72-00982A	2	X	
20	PMO-M-ACT EMPTY MP	JC72-01338A	1	X	
21	RPR-FRICTION PAD	JC73-00140A	1	O	
23	SPRING-ETC-EXIT ROLL FD	JC61-70911A	2	X	
24	RPR-PAD CASSETTE	JC73-00141A	1	X	
25	SPRING-ES	6107-001237	2	X	
26	SHEET GUIDE PAPER R2	JC63-00545A	1	X	
27	SHAFT-P-CORE	JC66-00720A	2	X	
28	SHEET GUIDE MP	JC63-00448A	1	X	
29	SPRING-CS	6107-001167	1	X	
30	SPRING-ES	6107-001047	1	X	
31	PHOTO INTERRUPTER	0604-001095	1	O	

8.10 Cassette Assembly



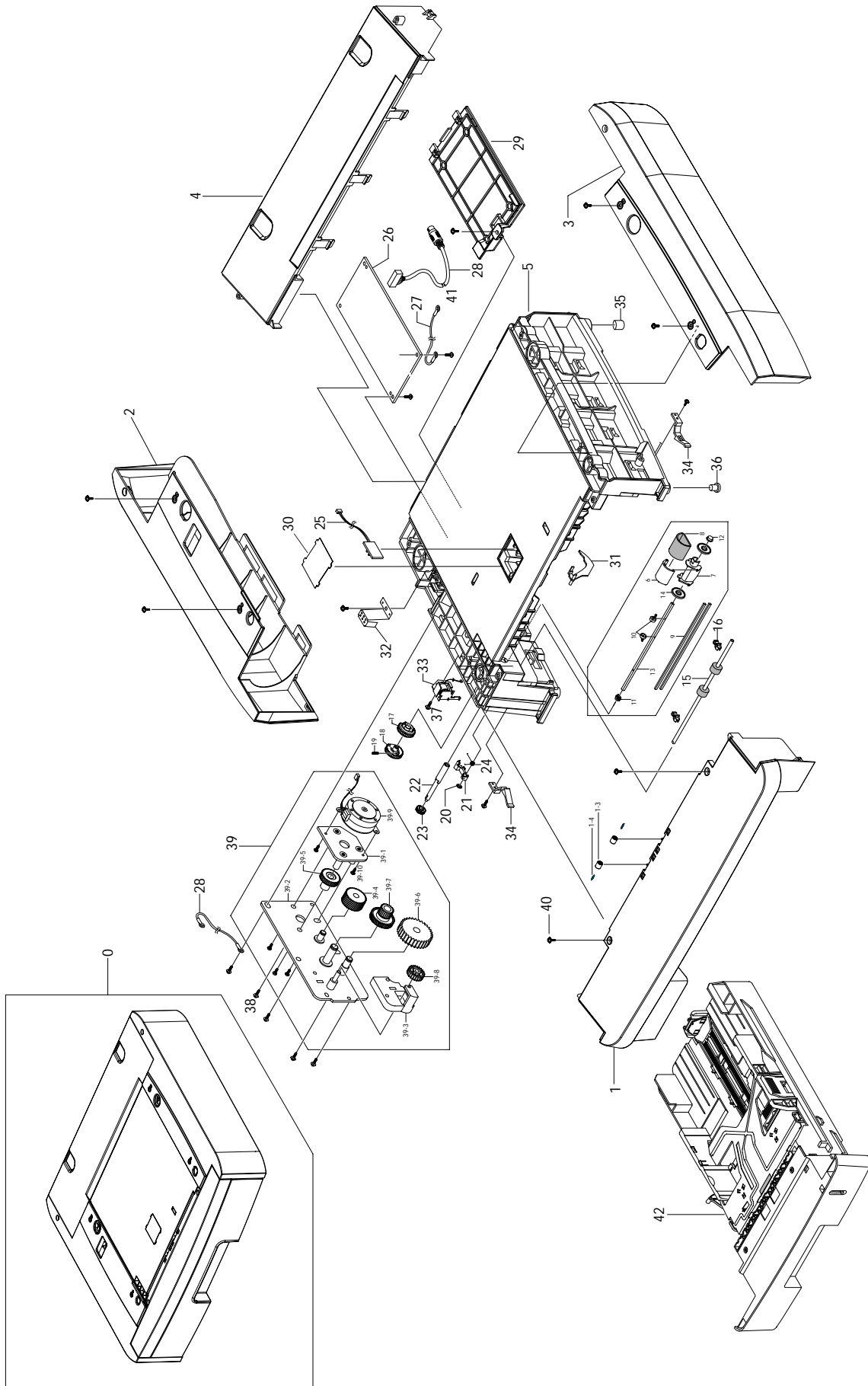
Cassette Assembly Parts List

SA : Service Available

O : Service available X : Service not available

No.	Description	SEC.Code	Q'ty	SA	Remark
0	MEA-CASSETTE	JC97-02020A	1	O	
1	FRAME-M-CASSETTE	JC61-00876D	1	O	
2	GUIDE-M-EXTENSION LARGE	JC61-00918B	1	X	
3	PMO-EXTENSION SMALL	JC72-00971A	1	O	
4	PLATE-P-KNOCK_UP	JC61-00603A	1	X	
5	SPRING-CS	6107-001166	2	X	
6	MEA UNIT-HOLDER PAD	JC97-01931A	1	O	
6-1	HOLDER-M-PAD	JC61-00580A	1	O	
6-2	SHEET-HOLDER PAD R2	JC63-00407A	1	X	
6-3	RPR-FRICTION PAD	JC73-00140A	1	O	
6-4	IPR-PLATE PAD	JC70-00314A	1	O	
7	SPRING ETC-EXIT ROLL FD	JC61-70911A	1	X	
8	COVER-M-SUB CASSETTE R2	JC63-00490A	1	X	
10	PMO-PLATE_LOCKER	JC72-00972A	1	O	
11	SPRING ETC-LOCKER,PLATE	JG61-70531A	1	O	
12	ADJUST-M-CASSETTE_L	JC70-00300A	1	O	
13	ADJUST-M-CASSETTE_R	JC70-00301A	1	O	
14	GEAR-PINION	JG66-40003A	1	O	
15	RPR-PAD CASSETTE	JC73-00141A	1	X	
16	CAM-KNOCK UP	JC66-00719A	1	X	
17	INDICATOR-CST PAPER	JC64-00143A	1	X	

8.11 SCF(Option Cassette Frame) Exploded view



SCF(Optional Cassette Frame) Assembly Parts List

SA : Service Available

O : Service available X : Service not available

No.	Description	SEC.Code	Q'ty	SA	Remark
0	ELA UNIT-SCF R2	JC96-03132B	1	O	
1	COVER-M-FRONT SCF R2	JC63-00505A	1	O	
2	COVER-M-SIDE L SCF	JC63-00500A	1	X	
3	COVER-M-SIDE R SCF	JC63-00499A	1	O	
4	COVER-M-REAR SCF R2	JC63-00503A	1	O	
5	FRAME-M_SCF	JC61-00877A	1	X	
6	HOUSING-M-PICKUP_R2	JC61-00909A	1	O	
7	HOUSING-M-PICKUP2_R2	JC61-00910A	1	O	
8	SPONGE -ROLLER PICK_UP	JC72-01231A	1	O	
9	SHAFT-P-CORE	JC66-00720A	2	X	
10	PMO-BUSHING FEED	JC72-00382B	2	O	
11	BUSH-M-PICK_UP L	JC61-00586A	1	O	
12	BUSH-M-PICK_UP R	JC61-00587A	1	O	
13	SHAFT-P-PICK_UP	JC66-00399A	1	O	
14	PMO-IDLE PICK_UP	JC72-00982A	2	X	
15	ROLLER -FEED	JC66-00598A	1	O	
16	PMO-BUSHING TX	JC72-00382B	2	O	
17	PMO-GEAR PICK_UP A	JC72-00979A	1	X	
18	PMO-GEAR PICK_UP B	JC72-00980A	1	X	
19	SPRING-CS	6107-001167	1	X	
20	RING-CS	6044-000001	1	X	
21	CAM-M-PICK_UP	JC66-00377A	1	O	
22	SHAFT-FEED	JC66-00527A	1	O	
23	GEAR -FEED 2	JC66-00394A	1	O	
24	SPRING-TS	6107-001170	1	X	
25	PCB-SENSOR	JC41-00247A	1	X	
26	PBASUB-SCF	JC92-01614A	1	O	
27	CBF HARNESS -SCF GND	JC39-00366A	1	X	
28	CBF HARNESS -SCF	JC39-00357A	1	X	
29	COVER-M-SIMM R2	JC63-00492A	1	X	
30	SHEET-COVER SENSOR	JC63-00369A	1	X	
31	PMO-ACTUATOR EMPTY	JC72-00975A	1	O	
32	IPR-GND TOP	JC70-11028A	1	X	
33	SOLENOID-HB(MANUAL)	JC33-00010A	1	X	
34	PMO-LOCKER CST	JC72-00983A	1	O	
35	FOOT-BACK	JC61-00835A	1	O	
36	FOOT-FRONT	JC61-00836A	2	O	
37	SCREW-ASS'Y TAPT	6006-001078	1	X	

SCF(Optional Cassette Frame) Assembly Parts List

SA : Service Available

O : Service available X : Service not available

No.	Description	SEC.Code	Q'ty	SA	Remark
38	SCREW-TAPTITE	6003-000196	10	X	
39	ELA HOU-MOTOR SCF	JC96-03003A	1	O	
39-1	BRKT-P-MOTOR SCF	JC61-00879A	1	X	
39-2	BRKT-P-GEAR SCF	JC61-00881A	1	X	
39-3	BRKT-M-FEED SCF	JC61-00878A	1	X	
39-4	GEAR 61/47 IDLE	JC66-00688A	1	X	
39-5	GEAR 59 IDLE	JC66-00689A	1	X	
39-6	GEAR 35 IDLE	JC66-00690A	1	X	
39-7	GEAR-RDCN 57/18	JC66-00389A	1	X	
39-8	GEAR-IDLE 23	JC66-00396A	1	X	
39-9	MOTOR STEP(SCF)	JC31-00009A	1	O	
39-10	SCREW-MACHINE	6001-000131	5	X	
39-11	CORE-FERRITE	3301-001635	1	X	
39-12	CABLE TIE	6501-000004	1	x	
40	BUSH CABLE	JC61-00804A	1	X	
41	SCREW-TAPTITE	6003-000196	1	X	
42	MEC-CASSETTE	JC97-02020A	1	X	

MEMO



Appendix (Parts code)

Update: 9/10/04

NO.	Buyer-Model Code	ELA HOU-SCAN	ELA HOU-OPE	PBA SUB-LIU
1	SCX-4720F/XAA SCX-4520/XAA	JC96-03184A JC96-03181A	JC96-03174A JC96-03183A	JC92-01599A
2	SCX-4720F/XEC SCX-4520/XEC	JC96-03184B JC96-03181B	JC96-03174B JC96-03183B	JC92-01599B
3	SCX-4720F/XEF SCX-4520/XEF	JC96-03184C JC96-03181C	JC96-03174C JC96-03183C	JC92-01599B
4	SCX-4720F/XEG SCX-4520/XEG	JC96-03184D JC96-03181D	JC96-03174D JC96-03183D	JC92-01599B
5	SCX-4720F/XEP SCX-4520/XEP	JC96-03184J JC96-03181J	JC96-03174J JC96-03183J	JC92-01599B
6	SCX-4720F/XET SCX-4520/XET	JC96-03184E JC96-03181E	JC96-03174E JC96-03183E	JC92-01599B
7	SCX-4720F/XEU SCX-4520/XEU	JC96-03184A JC96-03181A	JC96-03174A JC96-03183A	JC92-01599B
8	SCX-4720F/XIL SCX-4520/XIL	JC96-03184F JC96-03181F	JC96-03174F JC96-03183F	JC92-01599A
9	SCX-4720F/XSG SCX-4520/XSG	- JC96-03181A	- JC96-03183A	-
10	SCX-4720F/XEV SCX-4520/XEV	JC96-03184G JC96-03181G	JC96-03174G JC96-03183G	JC92-01599A
11	SCX-4720F/XSA SCX-4520/XSA	-	-	-
12	SCX-4720F/XIP	JC96-03184A	JC96-03174A	JC92-01599A